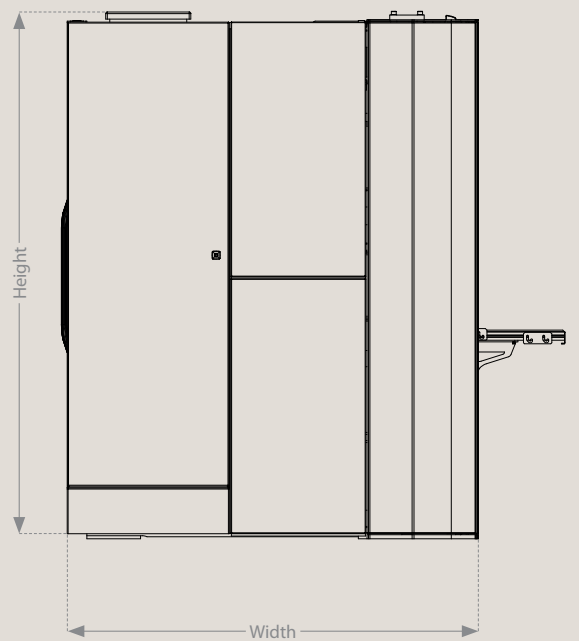
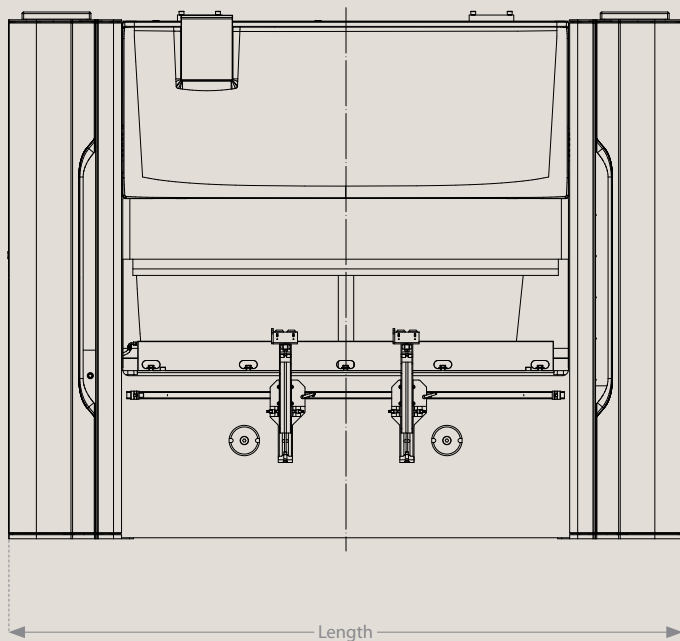


## Technical Data

### Xcite 80 E

	Xcite 80/2050 E	
Length	3330	mm
Width	2030	mm
Height	2600	mm



Type	Xcite 80/2050 E	
Tonnage	800	kN
Bending length	2050	mm
Standard stroke	170	mm
Open height	550	mm
Distance between the side stands	2200	mm
Max. backgauge range in X	1050	mm
X-axis travel	600	mm
X-axis speed	650	mm/s
X-axis accuracy	0,03	mm
R-axis travel	250	mm
R-axis speed	200	mm/s
R-axis accuracy	0,1	mm
Max. Y-rapid traverse	150	mm/s
Max. Y-working speed	25	mm/s
Y-return speed	150	mm/s
Y-axis accuracy	0,005	mm
Main motor power	22	kW
Weight	7,5	t

The right to make changes to dimensions, construction, and equipment is reserved. ISO-9001-certified.

**Bystronic: Best choice.**

Laser | Bending | Waterjet  
bystronic.com